

CUP-VS4

VERTICALLY SUSPENDED, SINGLE STAGE SUMP PUMP

PUMP OVERVIEW

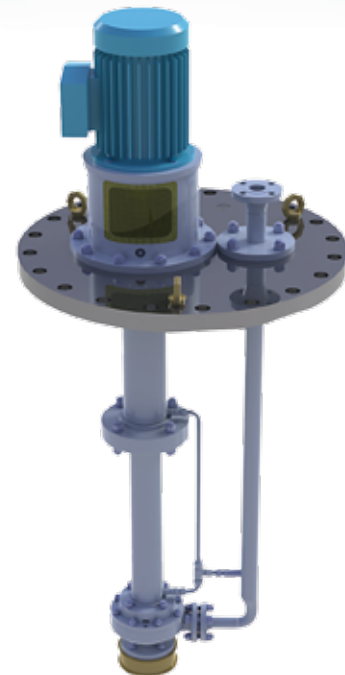
The ClydeUnion Pumps CUP-VS4 is a vertically suspended, single stage casing volute, line shaft driven sump pump developed from existing proven designs, using 'Finite Element Analysis' (FEA).

The units have been designed to suit customer requirements with lengths available up to 6m sump depth.

The CUP-VS4 pump comes in two design specifications. We offer pumps in accordance with the latest edition of API 610 and an industrial standard range, both of which offer ease of maintenance and reliability.

TYPICAL APPLICATIONS

- HPI + CPI
- Pharmaceutical
- Industrial waste treatment
- Mining
- Steel
- Upstream - sump + drains



TECHNICAL DATA

Capacity: up to 450 m³/hr / 2,000 USgpm

Delivery head: up to 160 m / 520 ft

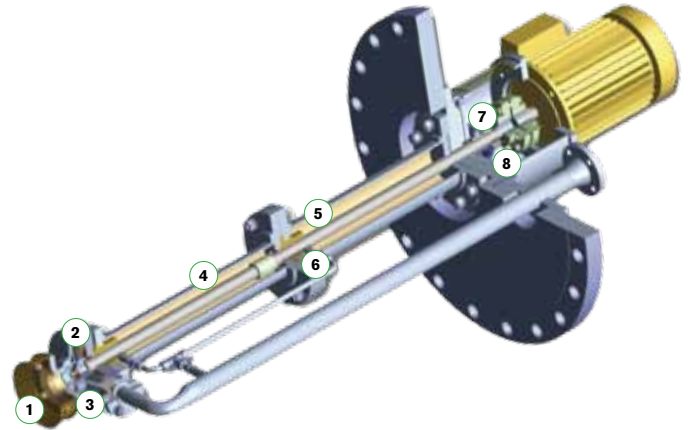
Temperature: up to 200 °C / 392 °F

Speeds: up to 3,600 rpm

Flange drilling: ANSI or BS

FEATURES + BENEFITS

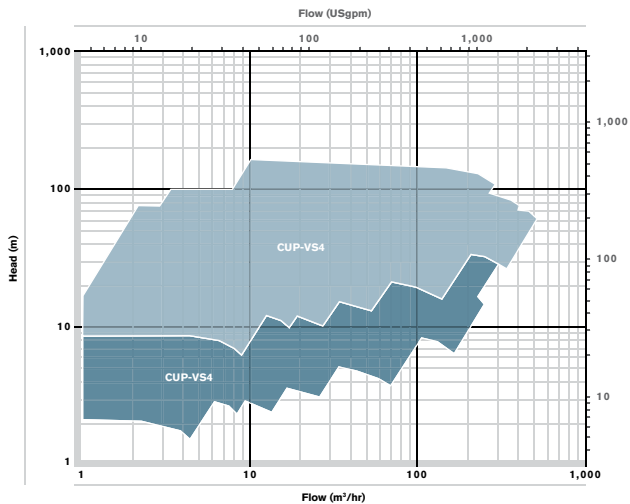
- 1 **Suction strainer**
316L stainless steel as standard. Other material options available
- 2 **Casing**
Replaceable suction cover design, integral wear rings as standard and conventional wear ring option available. Bellmouth suction flange construction
- 3 **Impeller**
Precision cast impellers, keyed drive with lock nut and washer fixing. Axial adjustment via lock nut above mounting plate. Balance holes for hydraulic balance as per API 610. Integral wear ring design and conventional wear ring option available
- 4 **Shafts**
Duplex stainless steel. Other options available. Robust keyed and pinned couplings
- 5 **Columns**
Fully welded with flange and spigoted joints. 316L stainless steel as standard. Other material options available
- 6 **Line bearings**
Grooved carbon / PTFE bearings. Pumped fluid or external flush options. Individually flushed bearings. Maximum distance between bearings as per API 610
- 7 **Bearing assembly**
Self contained bearing unit. Grease lubrication, option for oil. Temperature and vibration monitoring available



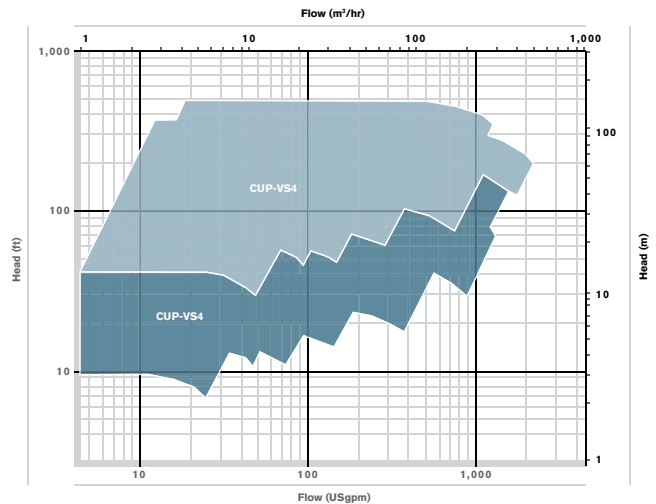
- 8 **Sealing options**
Twin lip seals, grease packed as standard. Single mechanical seal cartridge with dry running optional. Dual mechanical seal complete with support systems available

RANGE COVERAGE CHARTS

50HZ RANGE CHART



60HZ RANGE CHART



These charts cover the standard pump range. Other engineering designs exist for extreme applications

SPX®

P: +44 (0)141 637 7141 F: +44 (0)141 633 2399 E: cu.sales@spx.com

For more information about our worldwide locations, approvals, certifications, and local representatives, please visit www.spx.com.

SPX Corporation reserves the right to incorporate our latest design and material changes without notice or obligation. Design features, materials of construction and dimensional data, as described in this bulletin, are provided for your information only and should not be relied upon unless confirmed in writing.

CUP-04-VS4-UK-02

COPYRIGHT © 2012 SPX Corporation